

TH35C 3.0

Thermal Monocular



HIKMICRO THUNDER TH35C 3.0 Thermal Monocular is equipped with an unparalleled powerful thermal detector, with higher sensitivity and the latest image processing algorithm, ensuring users catch the finest details no matter the weather or light conditions. With a 1920 × 1080 OLED larger display, THUNDER 3.0 provides a better visual experience.

Key Feature

- 384 × 288 resolution @12 μm thermal detector
- High sensitivity thermal module NETD < 15 mK (@25°C, F# = 1.0)
- 35 mm, F1.0 lens with detection range up to 1800 m
- 1920 × 1080 resolution 0.49-inch OLED display
- HIKMICRO Shutterless Image System (HSIS)
- Rechargeable and Replaceable Li-on Battery, 6h continuous operation
- High shock resistance up to 1000 g/0.4 ms

Specification

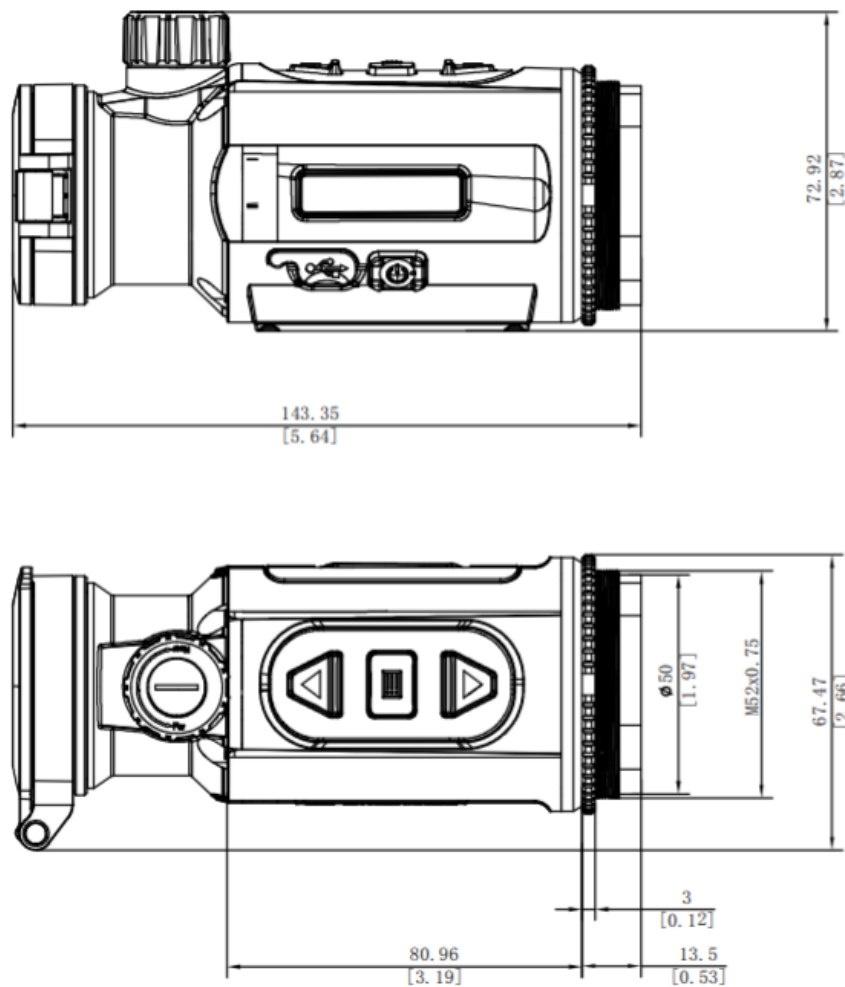
Thermal Module	
Image Sensor	Uncooled Focal Plane Arrays
Max. Resolution	384 × 288
Frame Rate	50 Hz
Pixel Interval	12 μm
Response Waveband	8 μm to 14 μm
Lens (Focal Length)	35 mm, F1.0
NETD	Less than 15 mK (@25 °C, F# = 1.0)
Detection Range	1800 m
Focus Mode	Focus Knob
Min. Focusing Distance	10 m
Magnification	1×
Field of View(H × V), Degrees / m @100m	7.5° × 5.7°/13.2 m × 9.9 m
Recommended Magnification of the Day Scope	1-12x
Image Display	
Display	1920 × 1080, 0.49 inch, OLED
Palettes	Black Hot, White Hot, Red Hot, Fusion, Red monochrome, Green monochrome
Exit Pupil	25 mm
Eye Relief	20 mm
Brightness Adjustment	Yes
Tone Adjustment	Cold, Warm
HSIS (HIKMICRO Shutterless Image System)	Yes
Image Pro 2.0	Yes
System	
Record Video	On-board Video Recording
Capture Snapshot	Yes
Virtual Reticle	Yes
Standby Mode	Yes
Storage	Built-in EMMC (64GB)
Hotspot	Yes
Hot Track	Yes
Reticle	No
Audio Recording	Yes
Recoil-activation Recording	Yes
Max. Recoil	1000 g/0.4 ms
Local Album	Yes
Image Calibration	Yes
Zeroing Profiles	5
Power Supply	
Battery Type	Replacable and Rechargeable Li-ion Battery Pack

Battery Operating Time	≥6h (25 °C, with hotspot off)
Type-C Power Supply	5 VDC, 2 A Supports External Power Supply
General	
Protection Level	IP67
Dimension	143.4 mm × 67.5 mm × 72.9 mm
Weight	460 g with Battery
Working Temperature	-30°C to + 55°C (-22°F to 131°F)
Body Material	Body & Lens Cover: Magnesium Alloy

• Available Model

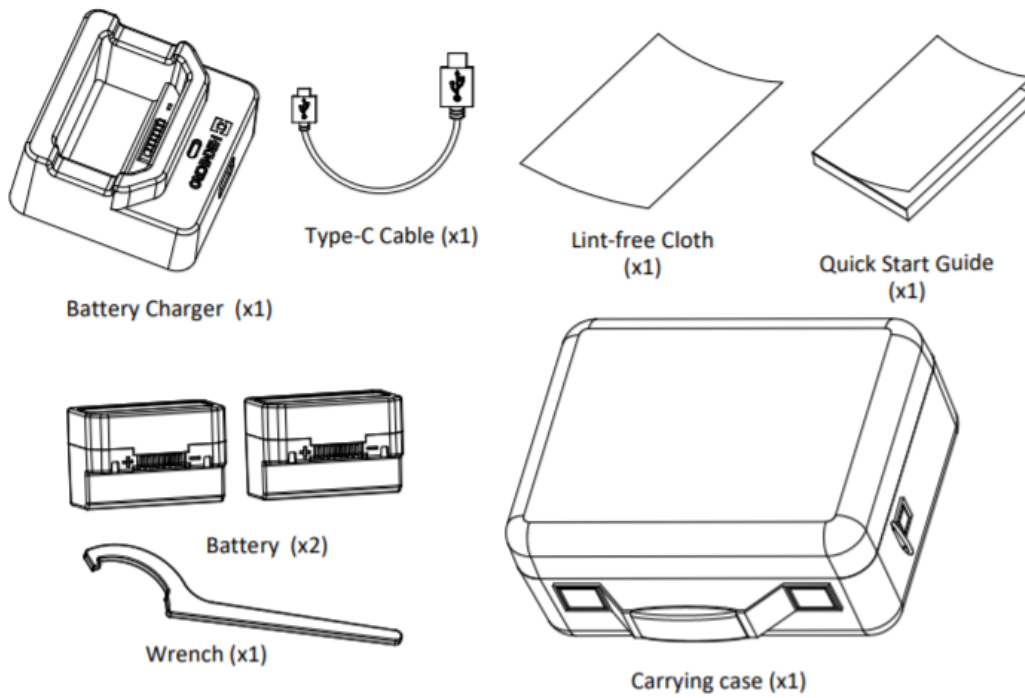
TH35C 3.0

• Dimension



Unit: mm[inch]

. Accessories



COMPLIANCE NOTICE: The thermal series products might be subject to export controls in various countries or regions, including without limitation, the United States, European Union, United Kingdom and/or other member countries of the Wassenaar Arrangement. Please consult your professional legal or compliance expert or local government authorities for any necessary export license requirements if you intend to transfer, export, re-export the thermal series products between different countries.



HIKMICRO SIGHT



Hikmicro Hunting.Global HIKMICRO Outdoor www.hikmicrotech.com hikmicro hunting.global HIKMICRO info@hikmicrotech.com

Room 313, Unit B, Building 2, 399 Danfeng Road, Xixing Subdistrict, Binjiang District, Hangzhou, Zhejiang
© Hangzhou Microimage Software Co., Ltd. All rights reserved. | Data subject to change without notice!