

LE10S

Thermal Monocular



HIKMICRO LYNX S LE10S thermal monocular is equipped with a 256×192 infrared detector and an 800×600 OLED display. It supports functions of observation, distance measurement, hotspot, and so on. The high-sensitivity built-in thermal detector provides you with a clear view even in total darkness. The monocular is mainly applied to scenarios such as hunting, hiking, searching and rescuing, etc.

Key Feature

- 256×192 resolution, $12 \mu\text{m}$, high sensitivity detector
- NETD less than 35 mK (@ 25°C , $F\# = 1.0$)
- Adaptive AGC, DDE, 3D DNR
- 800×600 resolution 0.32-inch OLED display
- Built-in rechargeable lithium battery
- Up to 8 hours continuous running
- Support hotspot

Specification

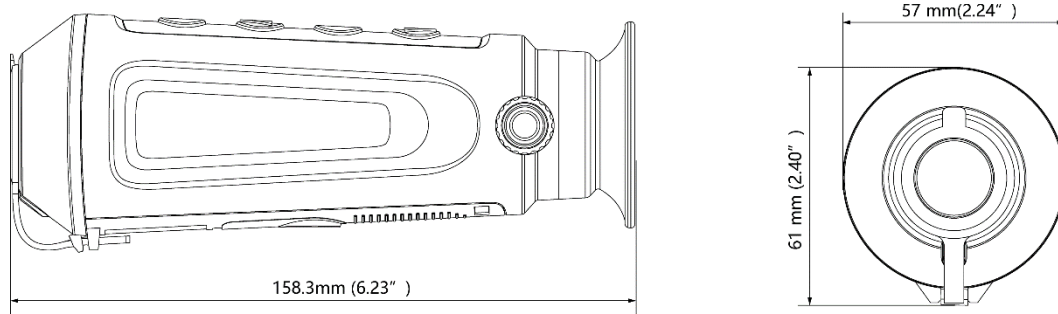
| Thermal Module | |
|---|---|
| Image Sensor | VOx Uncooled Focal Plane Arrays |
| Max. Resolution | 256 × 192 |
| Frame Rate | 50 Hz |
| Pixel Interval | 12 μm |
| Response Waveband | 8 μm to 14 μm |
| NETD | Less than 35 mK (@25°C, F# = 1.0) |
| Lens (Focal Length) | 9.7 mm, F1.0 |
| Focus Mode | Focus Free |
| Detection Range | 500 m |
| Min. Focusing Distance | 4 m |
| Magnification | 1.5× to 12.0× (8×) |
| Field of View(H × V), Degrees / m @100 m | 18.0° × 13.6° / 31.7 m × 23.8 m |
| Image Display | |
| Display | 800 × 600, 0.32-inch, OLED |
| Palettes | Black Hot, White Hot, Red Hot, Fusion |
| FFC (Flat Field Correction) Mode | Auto, Manual, External Correction |
| Exit Pupil | 20 mm |
| Eye Relief | 6 mm |
| Diopter (Range) | -5D to +4D |
| Brightness Adjustment | Yes |
| Tone Adjustment | Cold, Warm |
| Contrast Adjustment | Yes |
| System | |
| Record Video | Yes |
| Capture Snapshot | Yes |
| Audio Recording | Yes |
| Standby Mode | Yes |
| Storage | Built-in memory module (8 GB) |
| PIP | Yes |
| Hotspot | Yes |
| Hot Track | Yes |
| Distance Measurement | Yes |
| Power Supply | |
| Battery Type | Rechargeable Lithium Battery |
| Battery Operating Time | 8 hours continuous running with hotspot function off (@25°C) 6 hours continuous running with hotspot function on (@25°C) |

| | |
|---------------------|--|
| Type-C Power Supply | DC 5 V/2 A Supports External Power Supply |
| General | |
| Protection Level | IP67 |
| Dimension | 158.3 mm × 61 mm × 57 mm (6.23" × 2.40" × 2.24") |
| Working Temperature | - 20°C to 55°C (-4°F to 131°F) |
| Weight | 260 g (0.57 lbs) |

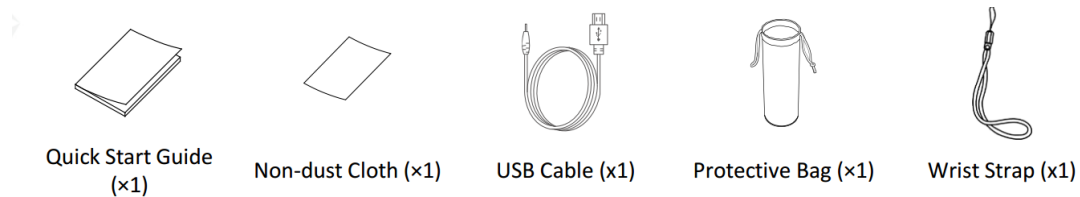
• Available Model

HM-TS02-10S1G/W-LE10S

• Dimension



• Accessories



COMPLIANCE NOTICE: The thermal series products might be subject to export controls in various countries or regions, including without limitation, the United States, European Union, United Kingdom and/or other member countries of the Wassenaar Arrangement. Please consult your professional legal or compliance expert or local government authorities for any necessary export license requirements if you intend to transfer, export, re-export the thermal series products between different countries.



HIKMICRO SIGHT



[f Hikmicro Hunting.Global](#) [y HIKMICRO Outdoor](#) [www.hikmicrotech.com](#) [ik hikmicro hunting.global](#) [in HIKMICRO](#) [info@hikmicrotech.com](#)

room 313, unit B, building 2, 399 danfeng road, xixing subdistrict, binjiang district, hangzhou, zhejiang
@hangzhou microimage software co., Ltd .2024 | data subject to change without notice!